



EFS ENGINEERING
FIRE PROTECTION SOLUTIONS

Tested By

Applus⁺



DUCTZTM

Fire Resistant Wrap for Duct Insulation



1. Product Description

DUCTZ+™ is a flexible fire-resistant wrap, designed to provide fire protective enclosure for smoke ducts, ventilation ducts and commercial kitchen grease ducts.

The blanket core material is a high temperature body low bio-persistence fiber, produced by a spinning technology, creating unique fiber with thermal and mechanical properties.

The wrap is completely encapsulated in a durable aluminum fiberglass reinforced scrim, which provides extra strength and moisture resistance.

DUCTZ+™ is the ideal choice for duct enclosure and firestop system - thanks to its insulation capabilities, fast and clean installation and a thin and lightweight design.

2. Product Features

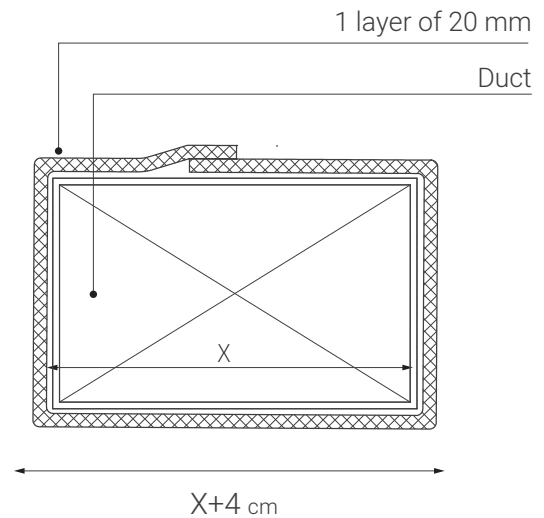
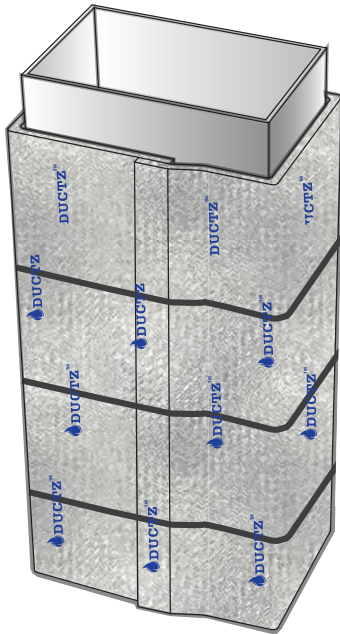
DUCTZ+™ fire-resistant wrap has been tested to BS 476 (400C), it is 20 mm thick and 96 kg/m³ density. This standard examines the fire resistance of the wrap that is used to protect the ducts as a horizontal and vertical element, while there is fire in and out of the duct. DUCTZ+™ is proven as a fire rated enclosure up to 4 hour, with application of one layer.



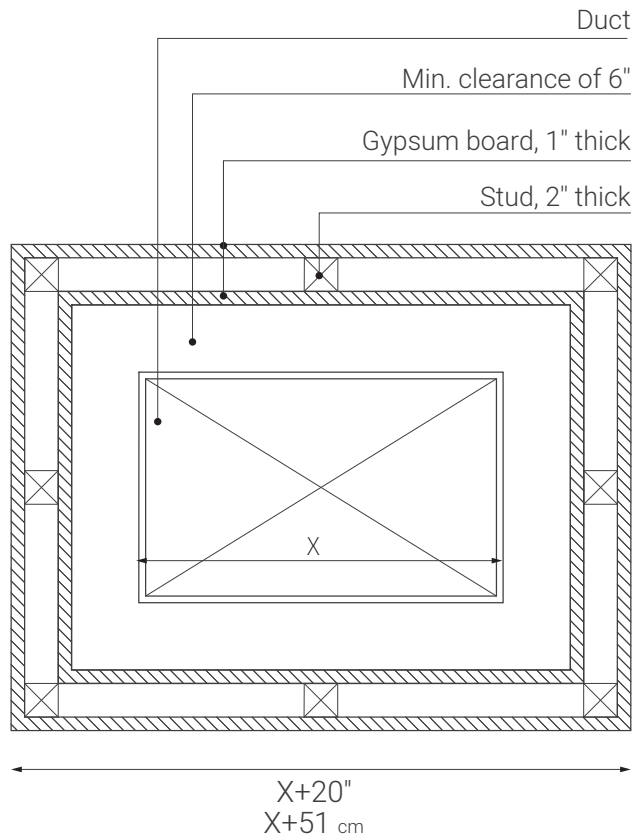
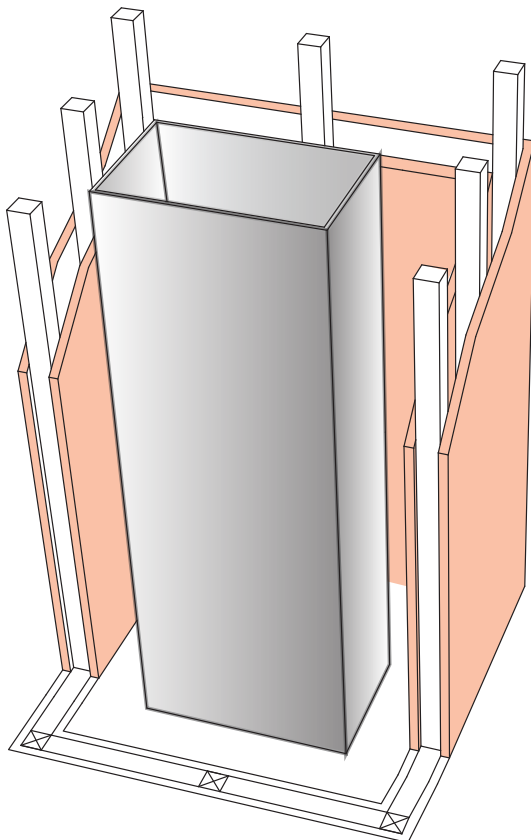
3. Advantages

DUCTZ+™ is BS 476 400C tested and approved as a Zero Clearance system - as opposed to fire rated shafts. DUCTZ+™ saves valuable space since it is installed directly around the ducts, unlike the traditional method in which gypsum boards are installed around the shaft, thus requiring extra space between the ducts and the gypsum.

DUCTZ+™ - Zero Clearance System



Fire Rated Shaft Example



4. Installation

DUCTZ+™ shall be installed in accordance with the laboratory design listing. For further information please contact us.



6. Safety and Warning

The insulation material is made of mineral fibers. This requires those who come in contact with the material to maintain the safety guidelines:

- Usage of protective clothing to prevent skin irritation such as gloves, head covering and full body clothing is needed. In case of the material coming in contact with the skin, one must avoid scratching or rubbing the area while the fiber is still on the skin.
- In order of preventing entry of fibers to the respiratory system, use appropriate respiratory protection masks.
- Wear safety glasses with side shields or other forms of eye protection, to prevent eye irritation. When needed use full face protection.
- When using this material do not eat, drink or smoke in the workspace.
- Usage of compressed air for cleaning must be avoided. This could increase the amount of fibers in the air.
- Wash work clothing separately. In case clothes are covered in a large amount of fibers, it is recommended to soak and rinse the clothing before the washing.
- After leaving the workspace, it is recommended to wash thoroughly with soap and water.

DUCTZ+™ is the solution for any project

Universities, Banks, Hospitals, Shopping malls, Airports, Police stations and more.
We are here for our clients and provide full technical support every step of the way.



Contact us and join our global network of customers and partners