



EFS ENGINEERING
FIRE PROTECTION SOLUTIONS

LISTED BY



Intertek



 **DUCTZ™**

Fire Resistant Wrap for Duct Insulation



**GREASE
DUCT**

FLEXIBLE WRAP



AIR DUCT

FLEXIBLE WRAP



SMOKE DUCT

FLEXIBLE WRAP



2 HOUR

FIRE BARRIER



**ASTM
E2336**

TESTED SUCCESSFULLY



**UL
2221**

TESTED SUCCESSFULLY



**ULC
S144**

TESTED SUCCESSFULLY

1. Product Description

DUCTZ+™ is a flexible fire-resistant wrap, designed to provide fire protective enclosure for commercial kitchen grease ducts as well as ventilation ducts. The wrap consists of inorganic fiber blanket, produced by a spinning technology, creating unique fiber with thermal and mechanical properties.

The wrap is completely encapsulated in a durable aluminum fiberglass reinforced scrim, which provides extra strength and moisture resistance. DUCTZ+™ is 1-1/2 inches (≈38 mm) thick and 6 pcf (≈96 kg/m³) density, and has the ability to withstand maximum temperatures, up to 1200 c (2192F).

DUCTZ+™ is the ideal choice for duct enclosure and firestop system - thanks to its insulation capabilities, fast and clean installation and a thin and lightweight design.

2. Product Features

DUCTZ+™ fire-resistant wrap has been tested by ASTM E2336, the American Grease Ducts test standard. This standard examines the fire resistance of the wrap that is used to protect the ducts as a horizontal and vertical element, while there is fire in and out of the ducts. DUCTZ+™ is proven as a two hour enclosure and firestop system for grease ducts, with application of two layers.

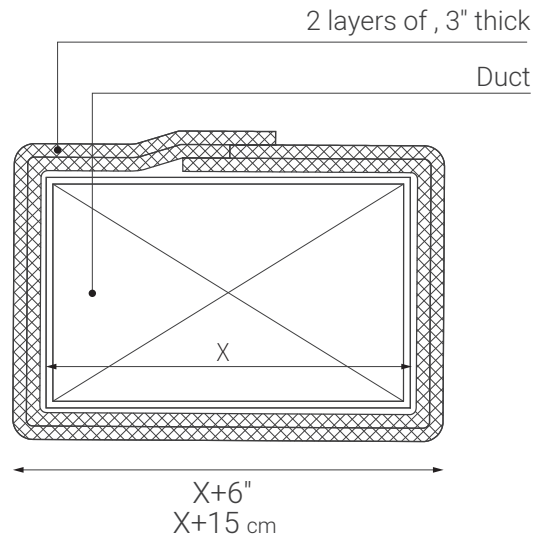
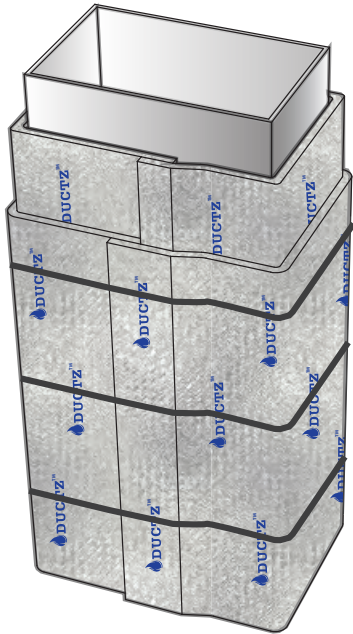


ASTM E2336	Passes all tests
Noncombustibility (ASTM E136)	Pass
Fire Resistance (ASTM E119)	Pass – 2 hour Fire Resistance Rating
Durability (ASTM C518)	Pass
Internal Fire Test: 4 hr @ 500°F and 30 minutes @ 2000°F (ASTM E2336)	Pass
Fire-Engulfment Test (ASTM E119 Exposure)	Pass – 2 hour Fire Resistance Rating
UL 2221	Pass
ULC S144	Pass
ASTM E814	F-Rating – 2 hour T-Rating – 2 hour
ASTM E84 / UL 723	Flame Spread < 25 Smoke Developed < 50
ASTM C411	Pass
Intertek Services	Testing, Listing and Certification
Listing Section	Fire Resistant Duct
Listing Section	Firestop Systems

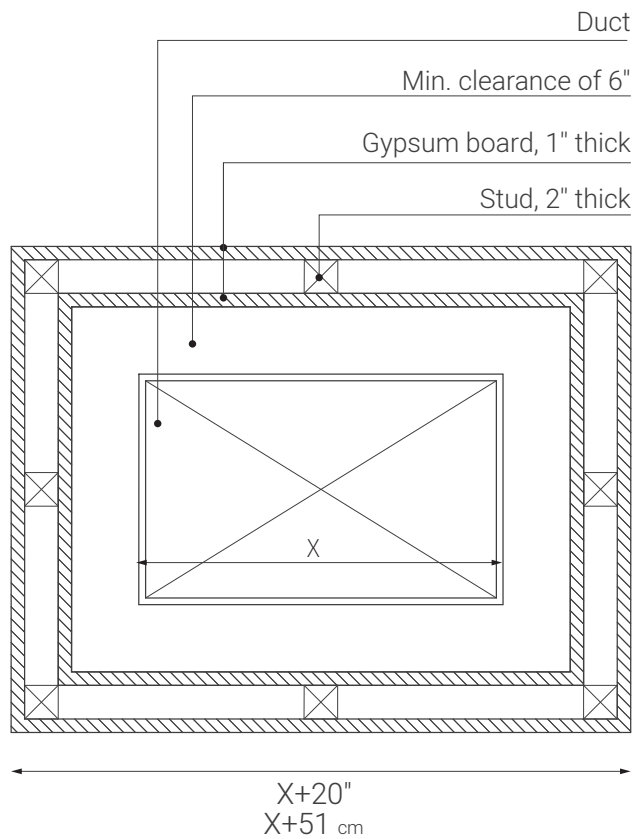
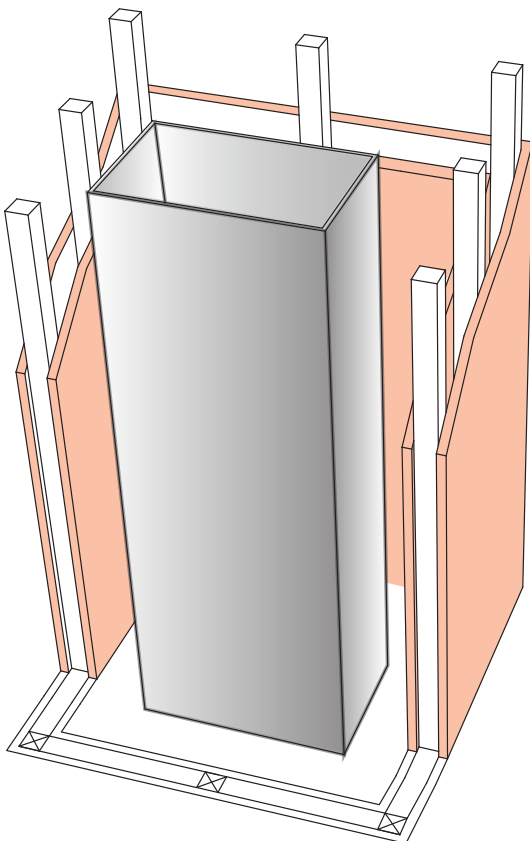
3. Advantages

Our product is ASTM E2336 tested and approved as a Zero Clearance system - as opposed to fire rated shafts. DUCTZ+™ saves valuable space since it is installed directly around the ducts, unlike the traditional method in which gypsum boards are installed around the shaft, thus requiring extra space between the ducts and the gypsum.

DUCTZ+™ - Zero Clearance System



Fire Rated Shaft Example



4. Installation

DUCTZ+™ shall be installed in accordance with the laboratory design listing. For further information please review intertek directory.



6. Safety and Warning

The insulation material is made of mineral fiber. This requires those who come in contact with the material to maintain the safety guidelines:

- Usage of protective clothing to prevent skin irritation gloves, head covering and full body clothing as needed. In case of the material coming in contact with the skin, one must avoid scratching or rubbing the area while the fiber is still on the skin.
- In order of preventing entry of fibers to the respiratory system, use appropriate respiratory protection masks.
- Wear safety glasses with side shields or other forms of eye protection, to prevent eye irritation. When needed use full face protection.
- When using this material do not eat, drink or smoke in the workspace.
- Usage of compressed air for cleaning must be avoided. This could increase the amount of fibers in the air.
- Wash work clothing separately. In case clothes are covered in a large amount of fibers, it is recommended to soak and rinse the clothing before the washing.
- After leaving the workspace, it is recommended to wash thoroughly with soap and water.

DUCTZ+™ is installed in a variety of different projects:

Universities, Banks, Hospitals, Shopping malls, Airports, Police stations and more.
We are here for our clients and provide full technical support every step of the way.



Contact us and join our global network of customers and partners